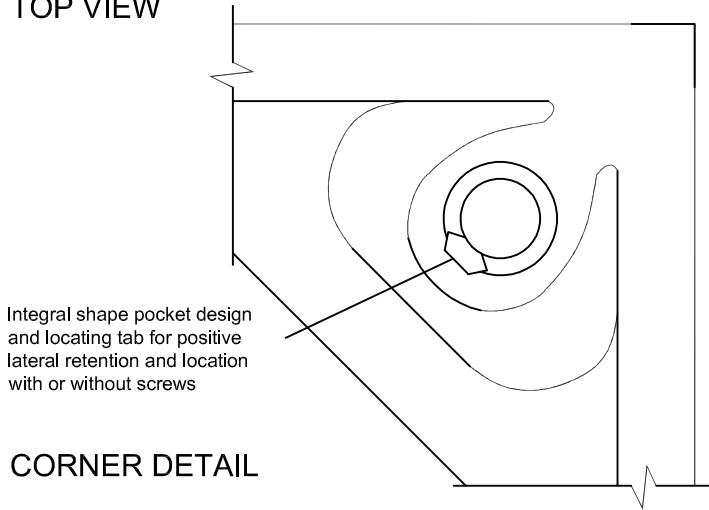
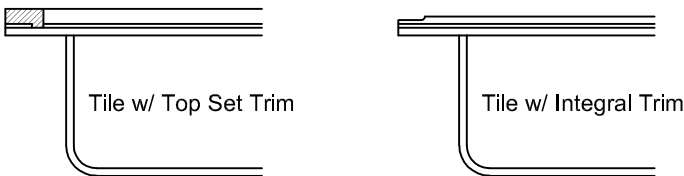


TOP VIEW



CORNER DETAIL



SPECIFICATIONS

General information

- Panel weight : 8.0 lbs./ft² bare.
- 1-3/8 inches deep with no covering.
- All steel welded construction filled internally with a cementitious core material.
- Protected from corrosion by an epoxy paint finish.
- Class A flame spread rating.
- Non-combustible material.

UNDERSTRUCTURE OPTIONS

- Freestanding
- Posilock
- 2' Bolted Stringer
- 4' Bolted Stringer
- Unilock Freestanding
- Unilock Posilock
- Unilock 2' Bolted Stringer
- Unilock 2' Snap On Stringer

COVERING OPTIONS

Tile factory laminated with top set trim edge

- 1/16" HPL _____ (Color) _____
- 1/16" Conductive HPL _____ (Color) _____
- 1/8" HPL _____ (Color) _____
- 1/8" Conductive HPL _____ (Color) _____
- 1/8" VCT _____ (Color) _____
- 1/8" Conductive Vinyl _____ (Color) _____
- 1/8" Static Dissapative Vinyl _____ (Color) _____

Tile factory laminated with integral trim edge

- 1/8" HPL _____ (Color) _____
- 1/16" HPL _____ (Color) _____
- 1/8" Conductive HPL _____ (Color) _____
- 1/16" Conductive HPL _____ (Color) _____

Bare Painted Panel Options

- Bare Painted Finish to accept carpet tile application
- Bare Painted Finish to accept PosiTile application

Performance Selection Chart

System Type	Understructure	SYSTEM WEIGHT	STATIC LOADS				ROLLING LOADS		IMPACT LOADS
			Concentrated Loads	Top Surface Deflection	Uniform Loads	Ultimate Loads	10 Passes	10,000 Passes	
ConCore CC1250-24"	Posilock	8.5 lbs / ft² 41 kg / m²	1250 lbs 567 kg	0.100" 2.54 mm	300 lbs / ft² 14.3 kPa	3750 lbs	1000 lbs 454 kg	800 lbs 363 kg	100 lbs 45 kg
	Bolted Stringer	10.0 lbs / ft² 49 kg / m²	1250 lbs 567 kg	0.100" 2.54 mm	300 lbs / ft² 14.3 kPa	3500 lbs	1000 lbs 454 kg	800 lbs 363 kg	150 lbs 68 kg
	Unilock Freestanding/ Unilock Posilock	8.5 lbs / ft² 41 kg / m²	1250 lbs 567 kg	0.100" 2.54 mm	300 lbs / ft² 14.3 kPa	3500 lbs	1000 lbs 454 kg	800 lbs 363 kg	100 lbs 45 kg
	Unilock 2' Bolted Stringer/ Unilock 2' Snap On Stringer	10.0 lbs / ft² 49 kg / m²	1250 lbs 567 kg	0.100" 2.54 mm	300 lbs / ft² 14.3 kPa	3500 lbs	1000 lbs 454 kg	800 lbs 363 kg	100 lbs 45 kg

Concentrated, ultimate, and impact load capacities are tested by imposing loads on a one square inch area. Results indicate weakest point of panel.

Permanent set after application of concentrated load shall be <0.010". Local and overall deformation after application of rolling loads shall be <0.040"